

PRISM[®] | Jogger



FEATURES

- Stainless steel table surfaces with air jets*
- Right and left pneumatic side flaps with air jets*
- Frequency controlled air removal roller
- Frequency controlled jogging motor with right or left rotation
- Seven different tilt angles
- Low pressure air blower

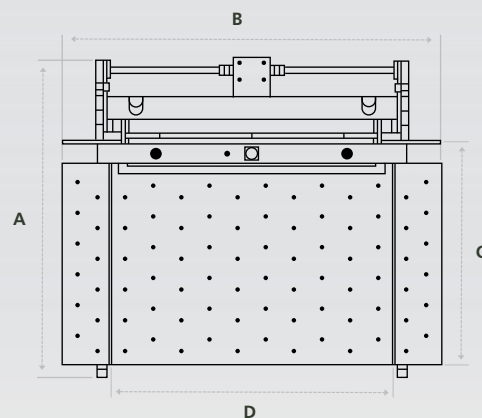
With a variety of sizes, the PRISM Jogger is a productivity work horse. It's high quality, heavy duty and cost effective with a European design. The PRISM Jogger exactly aligns paper after it's loaded. Added by a squeeze roller, all trapped air is removed to create a solid and square pile for maximum accuracy. You would add this to the production line to save time and improve efficiency. Improve your production cutting workflow and Increase productivity by up to 30%.



SPECIFICATIONS

Note: Sizes and specifications are for reference only and are subject to change.

Model	CP-JPA-1		CP-JPA-2		CP-JPA-3	
Machine Depth (A)	38in	965mm	44in	1117mm	60in	1524mm
Machine Width (B)	42in	1066mm	52in	1320mm	65in	1651mm
Max Table Depth (C)	26in	660mm	31in	787mm	45in	1143mm
Max Table Width (D)	34in	863mm	44in	1117mm	57in	1447mm
Stack Height	6.5in	165mm	6.5in	165mm	6.5in	165mm
Working Table Height	34in-38in / 880mm - 980mm					
Power	200V-240V, 50/60HZ					
Machine Weight	1100lbs / 498kg		1212lbs / 550kg		1600lbs / 725kg	



*This machine requires compressed air

For more information about this jogger:
1.800.932.0780 or visit papercutters.com/joggers

PaperCutters.com
 POWERED BY COLTER & PETERSON